



# I-Vue<sup>®</sup> MINI

## Indoor Fixed IP Dome



H.264 compression, IP transmission, industry beating features and video analytics, all combined in a micro surveillance camera package.



I-Vue<sup>®</sup> MINI utilises the latest H.264 compression algorithm to deliver superior picture quality at reduced bandwidth across an Ethernet network. In addition, I-Vue PTZ features on-board I-Command SmartDetect intelligent video analytics capabilities, which enhances the function of the camera and increases surveillance effectiveness.

### Key Features of I-Vue MINI Include:

- ▷ **H.264 compression.**
  - Utilising the H.264 compression algorithm, I-Vue MINI greatly reduces the impact on network bandwidth of video transmission.
- ▷ **Video analytics enhancement.**
  - Utilising embedded SmartDetect Essentials or SmartDetect Advanced (optional) analytics, rules such as object detection, line crossing and more can be set. Deployment of SmartDetect analytics enhances operator effectiveness and greatly increases the functionality of analogue cameras. For more information on I-Command SmartDetect, please visit our website at [www.coe.co.uk](http://www.coe.co.uk)
- ▷ **Meets & exceeds transport standards.**
  - I-Vue cameras are specifically designed for demanding transport and industrial environments.
- ▷ **Compact Design.**
  - I-Vue MINI features a miniaturised design, suiting it for discreet deployment in any indoor environment.
- ▷ **Highly optimised H.264 compression.**
  - I-Vue MINI provides best-of-breed video performance (D1 resolution @ 25 frames per second), resulting in highest quality video at low bandwidth for CCTV applications.
- ▷ **Innovative, advanced features.**
  - State of the art technology such as USB support and H.264 encoding compliments innovative features such as screenshots and automatic e-mailing of incident alerts.

### Product Codes:

**IVUE-MINI-500000** Fixed miniature indoor dome camera for ceiling/wall mount, 550TVL VGA CMOS with fixed lens 4.7mm + I-Command SmartDetect Essentials + PSU

**I-CMD SD-ADV** I-Command<sup>®</sup> Smart Detect Advanced analytics license (upgrade)

*\* Contact COE for supplementary/replacement power supplies, cables etc*



# I-Vue<sup>®</sup> MINI

## Technical Specification



### Camera

<b>Sensor</b>	1/4" VGA CMOS
<b>Active Pixels</b>	640 x 480
<b>Scanning System</b>	2 : 1 Interlace
<b>Horizontal Resolution</b>	550 TVL (Colour)
<b>Minimum Illumination</b>	3.0 Lux (Colour), 0.2 Lux (DSS on)
<b>Lens</b>	3.6mm f.~2.0 Board Type
<b>Shutter Speed</b>	1/50sec ~ 1/120,000sec (PAL) 1/60sec ~ 1/120,000sec (NTSC)

### Codec (Encoder)

<b>Compression</b>	H.264, MPEG4, MJPEG
<b>Resolution</b>	D1 (720 x 576), 2CIF (704 x 288), CIF (352 x 288), QCIF (176 x 144)
<b>Frame Rate</b>	Up to 25 (PAL) / 30 fps (NTSC)
<b>Number of Streams</b>	Dual Stream
<b>Bit Rate</b>	128Kb to 4Mb
<b>Video Output</b>	Ethernet
<b>On Screen Display</b>	Time, date, camera title, etc
<b>Video Motion Detection</b>	Included

### Audio

<b>Audio Input</b>	1x Channel (Line Level: 1V p-p)
<b>Audio Output</b>	1x Channel
<b>Compression Algorithm</b>	G711

### Environmental Resilience

<b>Temperature</b>	0°C to +50°C
<b>Humidity</b>	Up to 85% RH (Non-Condensing)

### Power Requirements

<b>Power Consumption</b>	12V DC, 360mA
<b>PSU (Included)</b>	Input: 100-240VAC 50-60Hz 0.5A Max. Output: 12VDC @ 1.5Amps

### Network

<b>Protocol</b>	DHCP, ARP, HTTP, RTP, NTP, UDP unicast, UDP multicast, TCP/IP, ICMP, IGMP
<b>Configuration</b>	Built-in web server
<b>Software Upgrade</b>	Remote flash programmable

### Physical Interfaces

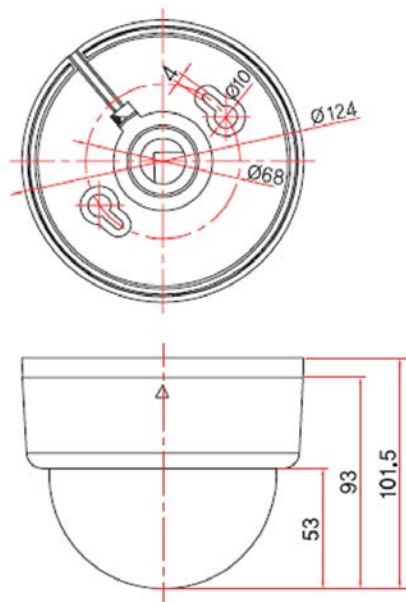
<b>Audio Input/Output</b>	RCA Phono Female
<b>Network Connector</b>	10/100Base-T (RJ45)

### Mechanical Specifications

<b>Weight</b>	0.345kg
<b>Material</b>	Polycarbonate
<b>Colour</b>	Black
<b>Dimensions</b>	Housing: 124.2(Ø) x 102(H) mm Dome: 100(Ø) mm

### EMC Specifications

<b>Ranking</b>	EN 55022:2006, Class A, EN 30-4:1995+A1:1998+ A2:2003, EN 61000-3-2:2006, EN 61000-3-3/A2
----------------	--



(unit: mm)

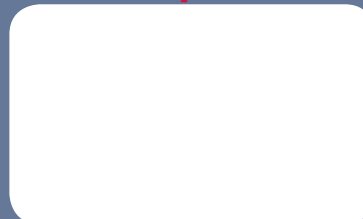
All Specifications are subject to change without notice.

### COE Limited Headquarters (UK)

Photon House  
Percy Street  
Leeds  
LS12 1EG  
United Kingdom

Tel : +44 (0)113 230 8800  
Fax : +44 (0)113 279 9229  
Web : [www.coe.co.uk](http://www.coe.co.uk)  
Email : [sales@coe.co.uk](mailto:sales@coe.co.uk)

### Distributed by:



Issue: 2.0  
Date: 01/04/10  
This product complies  
with FCC regulations



E.&O.E.  
All Rights Reserved ©